

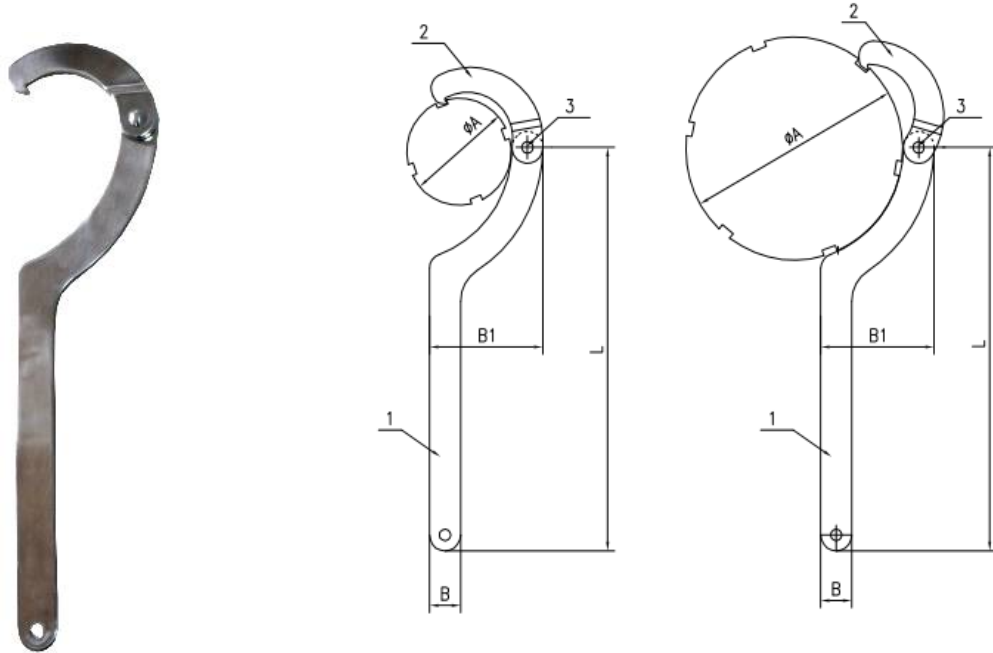


**CANGZHOU CHANGYUAN FITTINGS CO.,LTD**

[Http://www.con-well.com](http://www.con-well.com) email:con-well@vip.163.com

No.26 Shigang Road,Development Zone,Cangzhou,Hebei,China PC:061000

**SMS & DIN UNION SPANNER**



**Main Dimension: B=22mm, B1=80.5mm L=278mm**

**Surface: mirrio polishing, semi polishing, stone polishing**

**Material list**

Item	Description	Material	Qty
1	Part 1- 圆螺母扳手-主体	304	1
2	Part 2-圆螺母扳手-弯钩	304	1
3	Pin- 铆钉	304	1

**SMS NUT**

Dimension \ Size	25	32	38	51	63	76	104	106.6big	106.6big
ΦA	51	60	74	84	100	114	138	150	154

**DIN NUT**

Dimension \ Size	DN20	DN25	DN32	DN40	DN50	DN60	DN65	DN75	DN80	DN104	DN125
ΦA	54	63	70	78	92	99	112	120	127	148	178